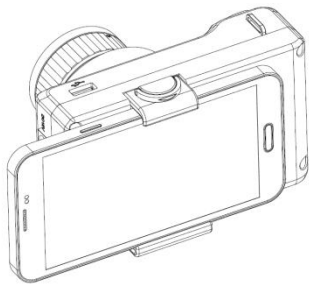


FOTRIC




User Manual

Table of content

Manual

English	1
简体中文	10
List of Contents	18
Quality Control report	19
Certificate of QC	20
Warranty Card	21

1. Quick Start Guide

1. Charge Fotric thermal camera fully for 3 hours. Ensure the camera is fully charged (charge indicator light turns off) before using it for the first time.
2. Download and install Fotric LinkIR APP and/or AnalyzIR computer software.
3. Use the appropriate (OTG) USB cable to connect the camera with mobile device or computer.
4. Turn on the camera by holding down the  On/Off button until the green light on.
5. Focus manually by rotating the focus ring of the lens.

Note: If the target object is not in focus, the temperature measurement accuracy and imaging results will be affected.

6. Take a thermal picture by pressing and holding the shutter button for 3 seconds.

2. Data transferring and sharing

2.1 Fotric Cloud

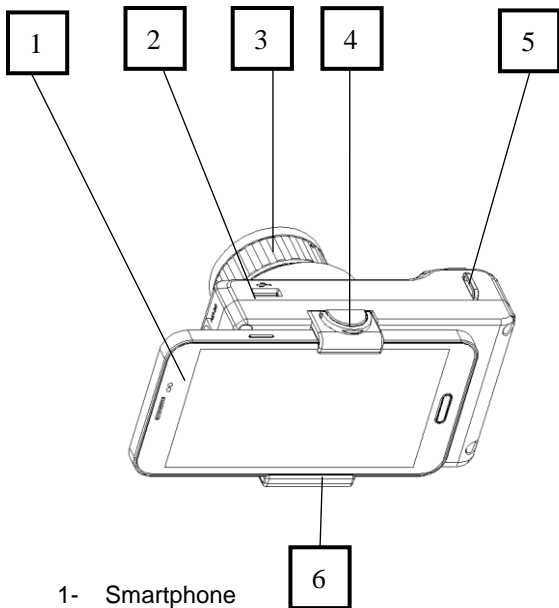


2.2 Local

The images saved at “internal \ IRs \ Gallery”.

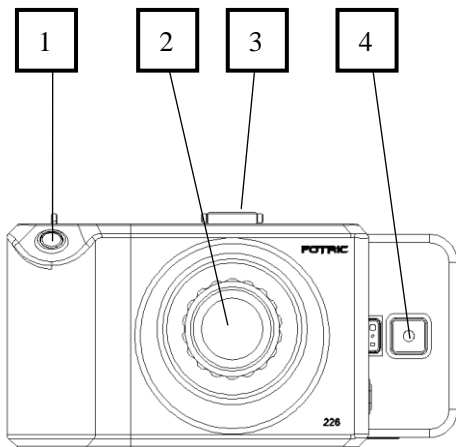
3. Camera

3.1. Back



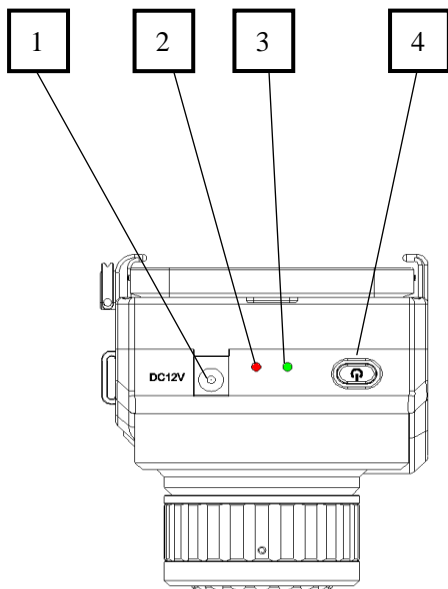
- 1- Smartphone
- 2- USB port
- 3- Focus ring
- 4- Phone mount
- 5- Hand/Neck strap mount
- 6- Phone mount

3.2. Front



- 1- Shutter button
- 2- Lens
- 3- Phone mount
- 4- Smartphone digital camera

3.3. Left



1- DC 12V charging port

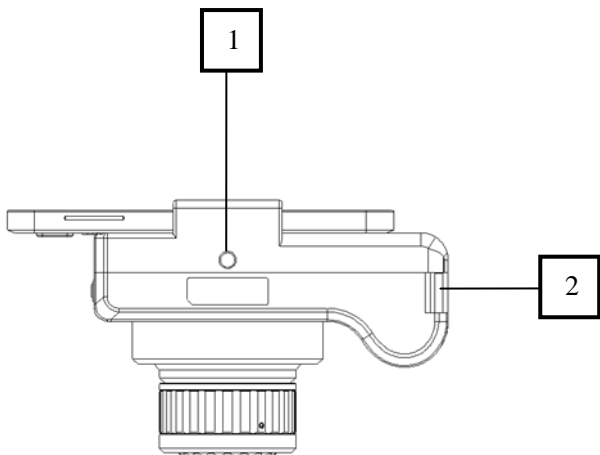
2- Charge indicator

Note: Red indicates charging, no light indicates charging completed.

3- Power indicator (On/off)

4- Power on/off button

3.4. Below



- 1- Tripod socket UNC (1/4-20)
- 2- Hand/Neck strap mount

4. Software download

Fotric LinkIR App

http://www.fotric.com/software_downloads.html

Fotric AnalyzIR software

http://www.fotric.com/software_downloads.html

Pictures took by certain models cannot be opened by Fotric AnalyzIR software.

5. Precautions

- Always adjust the focus first. If the target object of the thermal imaging camera is not in focus, the temperature measurements will not be accurate.
- By default, the thermal camera will auto-adjust the temperature range displayed according to the temperatures of objects within the screen. This is usually the preferred imaging mode, but you can also set the temperature display range manually if you need.
- For best results, turn the camera on for 15-30 minutes before taking a picture to let the sensor pre-heat.
- Be sure to set the appropriate temperature range for your lens. If you change the lens, go to your app settings to select the right lens.
- The thermal camera has a resolution limit that depends on the distance between the sensor and the target, as well as the target size. If possible, get closer to the target for more accurate results. However, stay clear of dangerous areas or energized electrical components.


- Temperature measurements of very smooth surfaces (with low emissivity) may not be as accurate because those surfaces reflect radiation from their environment.
- Be aware that your own body emits thermal radiation that will reflect on surfaces with low emissivity (such as windows and smooth metal surfaces). For best results, measure an area with high emissivity.
- Avoid measuring targets that are in direct sunlight. Never orient the camera directly at the sun. This may damage the sensor.
- To optimize your thermal testing and analysis procedure, familiarize yourself with the science of infrared and the factors that influence thermographic measurements.

Product may differ slightly according to product versions or upgrades. Fotric maintains the right to modify features without prior notice.

For the most up-to-date product information, visit www.fotric.com.

1.步骤

请遵循以下步骤：

1. 首次使用热像仪请先连接电源适配器充电3个小时。
2. 通过USB通讯口连接已正确安装 Fotric LinkIR APP的手机或已安装AnalyzIR软件的电脑（电脑上需要再安装热像仪的驱动）。
3. 使用合适的USB/OTG线连接热像仪与手机或电脑。
4. 短按开/关按钮  打开热像仪，长按关闭热像仪。
5. 调节焦距。

注意：如果调焦不准确，将影响测温精度及图像成像的效果。

6. 连接手机状况下，长按拍照按钮3秒拍摄并保存图像至手机。

2. 数据传输与共享

2.1 Fotric 云

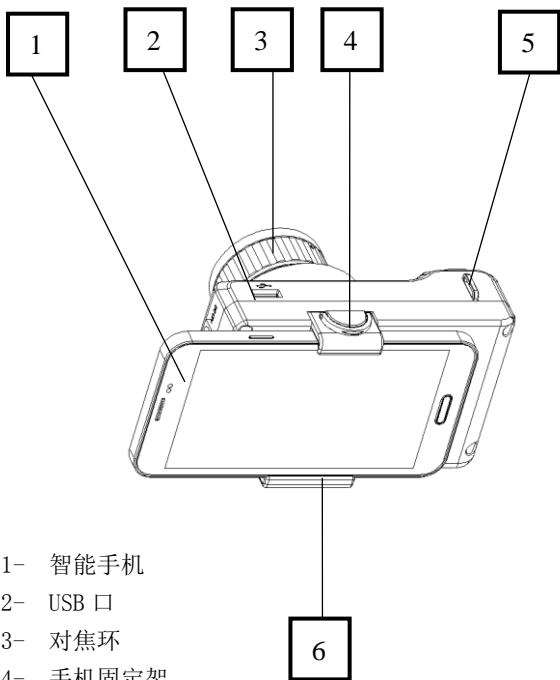


2.2 本地

照片存储目录“手机\内部存储设备\IRs\Gallery”。

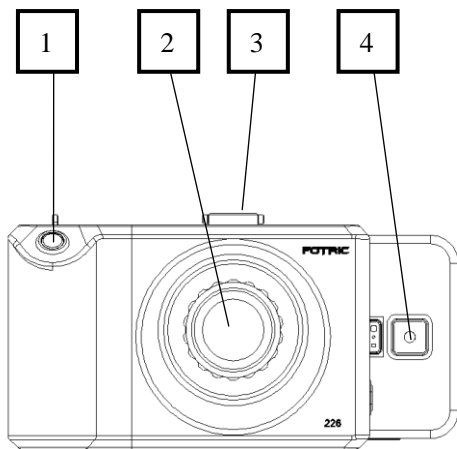
3. 热像仪

3.1 后视图



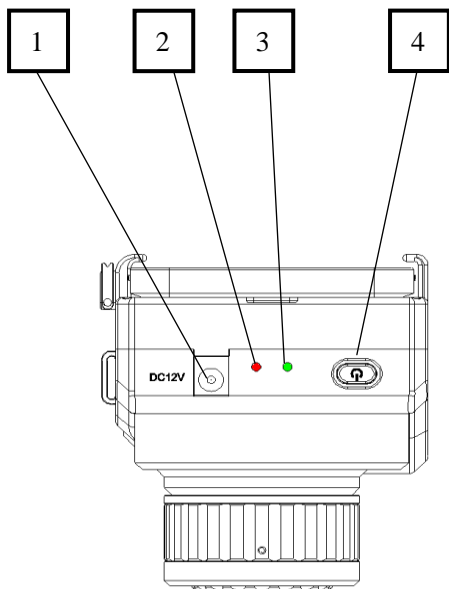
- 1- 智能手机
- 2- USB 口
- 3- 对焦环
- 4- 手机固定架
- 5- 腕带连接金属件
- 6- 手机固定架

3.2 前视图



- 1- 快门
- 2- 镜头
- 3- 手机支架
- 4- 手机摄像头

3.3 左视图



1-DC 12V 充电口

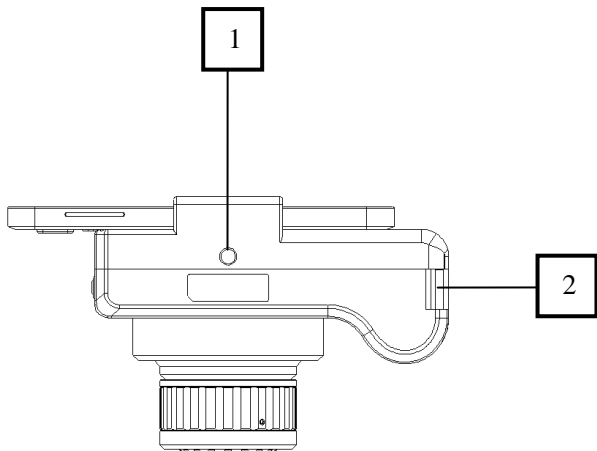
2-充电指示灯

红色表示正在充电，灯灭表示充电完成。

3-开机指示灯

4-开机

3. 4. 底视图



1- 三脚架螺纹孔 (UNC 1/4-20)

2- 手腕带连接点

4. 软件下载

Fotric LinkIR App

http://www.fotric.cn/software_downloads.html

Fotric AnalyzIR

http://www.fotric.cn/software_downloads.html

5. 注意事项

- 首先调整焦距。如果热像仪成像不在焦距范围内，将得出错误的测量结果。
- 默认情况下，多数的热像仪都会自动适应温度标尺标度。请先使用此模式，但如果需要，可以随时手动设置标度。
- 热像仪开机后，建议先预热15—30min。
- 选择合适的温度量程；若更换镜头，请在设置中选择相应的镜头。
- 热像仪具有分辨率限制，该限制取决于探测器尺寸、镜头以及与目标之间的距离。如果有必要，请进一步靠近目标。请确保远离危险区域或通电电气组件。
- 在垂直于目标把持热像仪时请小心，您可能会成为主要的辐射源。
- 请选择高发射区域（例如，具有不光滑表面的区域）来进行测量。
- 空白对象（及发射率低的物体）由于主要是反射环境，因而在热像仪中可能会表现为暖或冷。
- 请避免阳光直射于要测量的细节部位。
- 各种类型的故障（如建筑物构造中发生的故障）可能会产生同一类型的热分布图案。
- 正确分析红外图像要求具备有相应应用的专业知识。

本手册可能因产品功能增强或者版本变更出现与产品不一致的地方，请以实际产品为准。

获取最新的产品信息，请访问 www.fotric.cn。



List of Contents

Thermal imaging camera

Lens

Smartphone*

Power adapter

Calibration certificate*

User Documents

Hand strap*

Micro USB OTG to USB2.0 cable for smartphone

USB Type-C OTG to USB2.0 cable for smartphone

Micro USB OTG to USB2.0 cable for Pad*

USB to USB cable*

**The inclusion of this item is dependent on model.*

Note: *FOTRIC Precision Instruments reserves the right to discontinue models, parts and/or accessories, and other items, or to change specifications at any time without prior notice.*

Quality Control Report

1. Environment

0°C	<input checked="" type="checkbox"/> Passed <input type="checkbox"/> Failed
50°C	<input checked="" type="checkbox"/> Passed <input type="checkbox"/> Failed

3. Vibration

X axis	<input checked="" type="checkbox"/> Passed <input type="checkbox"/> Failed
Y axis	<input checked="" type="checkbox"/> Passed <input type="checkbox"/> Failed
Z axis	<input checked="" type="checkbox"/> Passed <input type="checkbox"/> Failed

4. Functions

Software functions	<input checked="" type="checkbox"/> Passed <input type="checkbox"/> Failed
Hardware functions	<input checked="" type="checkbox"/> Passed <input type="checkbox"/> Failed

5. Others

Appearance	<input checked="" type="checkbox"/> Passed <input type="checkbox"/> Failed
Accessories	<input checked="" type="checkbox"/> Passed <input type="checkbox"/> Failed



Certificate of QC

This is to certify that the thermal imaging camera listed on this card meets the requirements of Fotric quality control procedures.



Warranty Card

Thank you for choosing this FOTRIC thermal imaging camera. We design our products to deliver long-lasting performance and stand behind our cameras with our warranty. If any manufacturing defects appear under normal use within warranty period, the product will be repaired or replaced by Fotric Precision Instruments with no cost to the owner.

FOTRIC

An innovative brand of ZXF Laboratories, LLC

www.fotric.com

info@fotric.com

Copyright © 2017 Fotric. All rights reserved.